



DATASOUND - LABORATORIES -

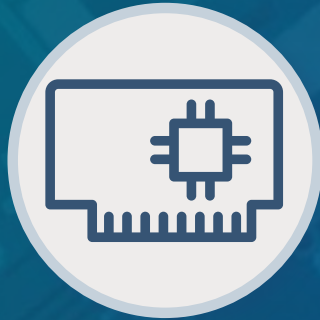
.....
EMBEDDING THE FUTURE



**Electronic
Design**



**Panel
PC / HMI**



**Single Board
Computer**



**Industrial
PC**

Why choose DSL?

- Over 25 Years Industry Experience
- 5 Years Warranty on all Products
- Evaluation Products Available
- Lifetime Technical Support

Our Services

- Electronic Design
- Production Management
- Assembly and Test
- Bespoke BIOS Creation
- Industrial Embedded PC Solutions



Call us on +44(0)1462 675530



Email us at sales@dsl-ltd.co.uk



www.dsl-ltd.co.uk

Features

- 15.6" TFT-LCD
- Intel Celeron Processor N2930
- SUS 316 Stainless Steel
- Total IP66 Grade with M12 Waterproof Connector
- Variety of IO applications
- Wide range DC 9~36V Power Input
- Support Panel Mount & VESA Mount
- Support Projected Capacitive Touch
- Full Flat Bezel and Fanless Design
- ATEX/IECEX Zone2, Zone22 and C1D2/C2D2/C3 Certified

Specifications

| System | |
|----------------|---|
| CPU | Onboard Intel Celeron N2930 Processor (2M Cache, 1.83GHz) |
| System Chipset | SoC |
| Memory | Onboard 4GB/8GB DDR3L 1333MHz |

| IO Port | |
|-------------------|---|
| USB | 1 x M12 8-pin for 2 x USB 2.0 with waterproof cover and chain |
| Serial / Parallel | 1 x M12 8-pin for COM1, RS-232/422/485, default RS-232, with waterproof cover and chain |
| LAN | 2 x M12 8-pin for LAN with waterproof cover and chain |
| Graph | 1 x M12 8-pin for VGA with waterproof cover and chain |
| Power | 1 x M12 3-pin for DC power connector with waterproof cover and chain |

| Storage Space | |
|----------------|--|
| HDD | 1 x 2.5" HDD or SSD space 1 x mSATA space |
| Movable Device | 1 x Internal SD Card |

| Expansion | |
|----------------|---------------------------|
| Expansion slot | 1 x Mini-PCIe (full size) |

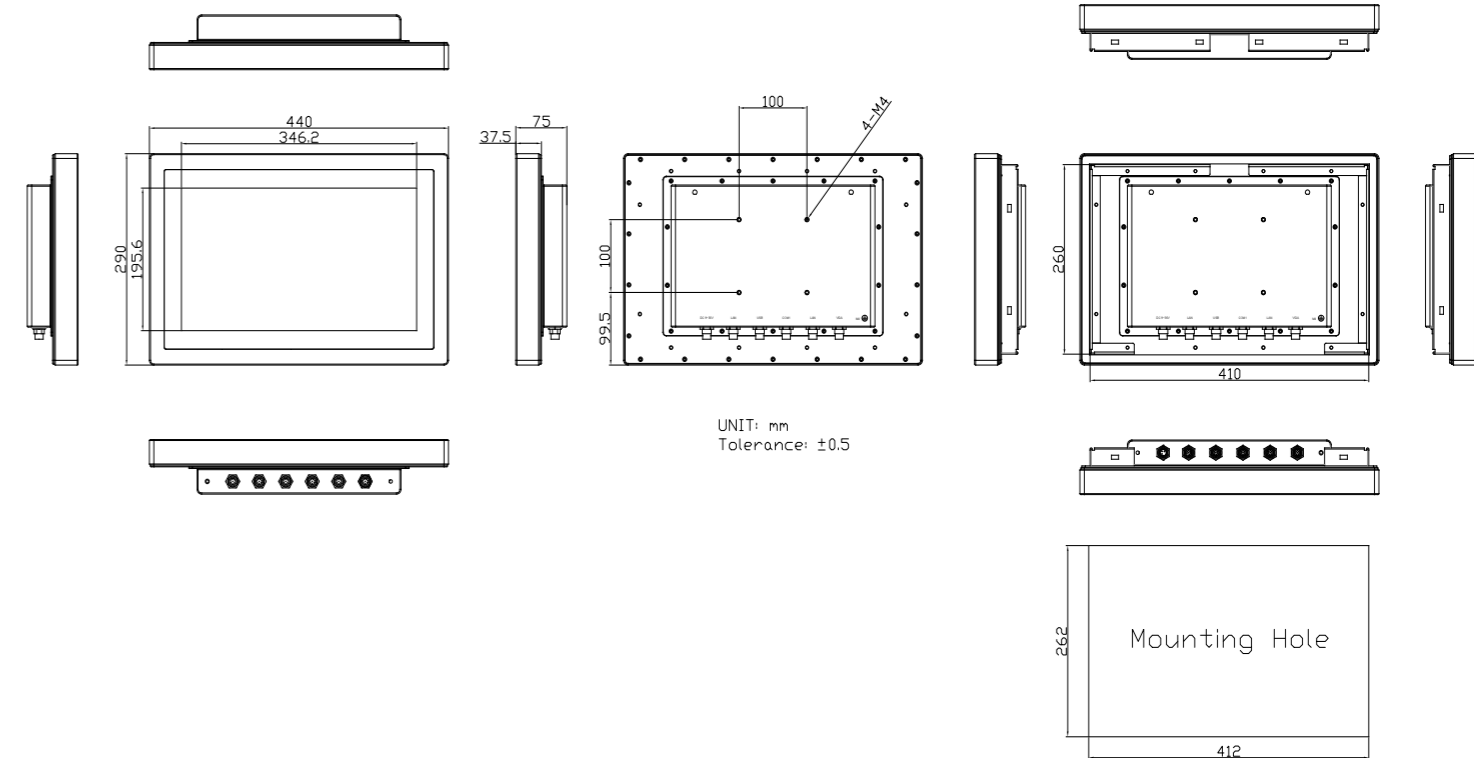
| Display | |
|--------------------------------|---------------|
| Display Type | 15.6" TFT-LCD |
| Max. Resolution | 1920 x 1080 |
| Max. Color | 16.2M |
| Luminance (cd/m ²) | 400 |
| View Angle | 160(H)/140(V) |
| Contrast | 700:1 |
| Backlight Lifetime | 50,000 hrs |

| Touch Screen | |
|-----------------------|----------------------------|
| Type | Projected Capacitive Touch |
| Interface | USB |
| Light Transmission(%) | 90% |

| Power | |
|-------------------|---------------|
| Power Input | DC 9~36V |
| Power Consumption | AEx-816P: 23W |

| Mechanical | |
|--------------|--|
| Construction | 316 stainless steel chassis |
| Mounting | VESA mount 100 x 100, Panel mount (option) |
| IP Rating | Total IP66 |
| Dimensions | 440 x 290 x 75 mm |
| Net Weight | 10 kg |

Dimensions



| Environmental | |
|-----------------------|-----------------------------------|
| Operating Temperature | 0~50°C / -20~60°C(option) |
| Storage Temperature | -30~70°C |
| Humidity | 10 to 95% @ 40°C, non- condensing |
| Safety | CSA C22.2 No.61010 |

| Certificate | |
|-------------|--|
| | CE / FCC Class A ATEX / IECEx Zone2 Ex ec ic IIC T4 Gc ATEX / IECEx Zone22 Ex tc IIIC T135°C Dc Class I, Division2, Group A,B,C,D,T4 Class II, Division2, Group F,G, T135°C Class III ANSI/ISA 12.12-01-2013 CSA Std., C22 No213-1987 |

| Operating System Support | |
|--------------------------|---|
| | Windows embedded 7 Windows embedded 8.1 Windows 10 IoT ENT LTSB |

| Ordering Information | |
|----------------------|---|
| AEX-816P | 15.6" FHD IP66 Intel Celeron N2930 1.8G CPU fan less panel PC, 4GB DDR3L memory on board, 1 x 128GB 2.5" MLC SSD, 1 x 64GB mSATA GMLC SSD, Projected capacitive touch, DC9~36V power input with power adapter, 316 stainless steel enclosure, support VESA Mount, WT-20~60 Accessory : 1 x M12 for 2 x USB2.0 Cable, 2 x M12 LAN cable, 1 x M12 COM Cable, 1 x VGA Cable, 1 x 3pin power input cable (w/o Adapter) |