



# DATA SOUND - LABORATORIES -

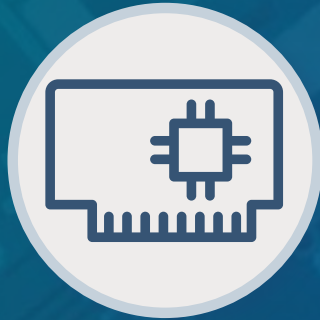
.....  
EMBEDDING THE FUTURE



**Electronic  
Design**



**Panel  
PC / HMI**



**Single Board  
Computer**



**Industrial  
PC**

## Why choose DSL?

- Over 25 Years Industry Experience
- 5 Years Warranty on all Products
- Evaluation Products Available
- Lifetime Technical Support

## Our Services

- Electronic Design
- Production Management
- Assembly and Test
- Bespoke BIOS Creation
- Industrial Embedded PC Solutions



Call us on +44(0)1462 675530



Email us at [sales@dsl-ltd.co.uk](mailto:sales@dsl-ltd.co.uk)



[www.dsl-ltd.co.uk](http://www.dsl-ltd.co.uk)

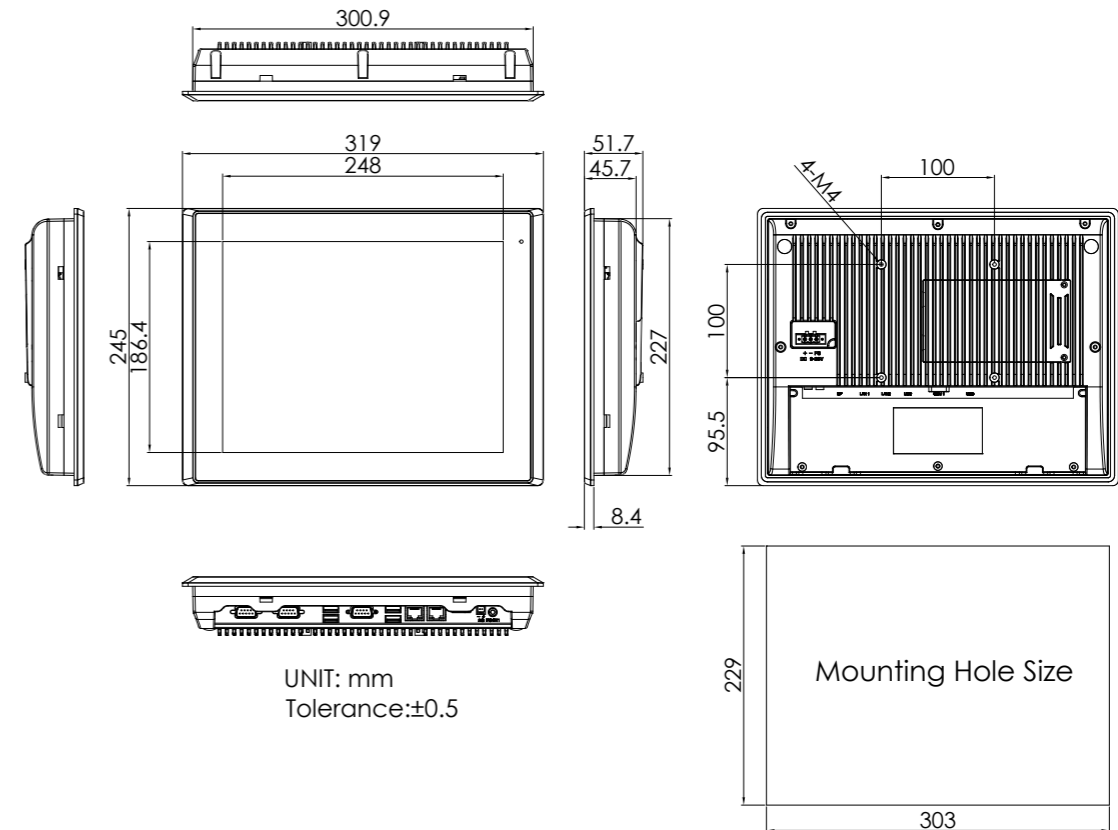
Features

- 12.1" Industrial Compact Size Panel PC
- Intel Celeron J6412 Processor
- 1 x 260-pin SO-DIMM DDR4 slot, up to 32GB 3200MHz
- Flat Front Panel Touch Screen with IP66 Front Bezel
- Support Expansion via Full-size Mini-PCIe and M.2 slots
- Support TPM2.0 Hardware Security
- DC 9~36V Wide Range Power Input
- High Brightness 1,000 nits for option

Specifications

System				
CPU	Intel Celeron J6412 Processor (2.0 GHz, 1.5MB L2 cache)			
System Chipset	SoC			
Memory	1 x 260-pin SO-DIMM up to 32GB DDR4 3200MHz			
TPM	TPM 2.0			
I/O Port				
USB	2 x USB 3.2 Gen2 type A 2 x USB 2.0 type A			
Serial / Parallel	1 x RS-232/422/485 (Default RS-232; select via BIOS)			
Audio	1 x Audio Line Out			
LAN	2 x 2.5GbE LAN RJ-45			
DP	1 x DP, support DP++			
Power	1 x 3-pin Terminal Block Connector 1 x 2-pin Power Switch Connector			
Option	VESA Stand 4G LTE / WiFi 4/5/6+ / BT 4 x USB 2.0 type A (TB-528U4) 4 x USB 2.0 type A + 1 x Mini-PCIe + 1 x SIM slot (TB-528U4ME1) 2 x COM (RS-232) (TB-528C2) 1 x COM (RS-232) + 2 x USB 2.0 (TB-528C1U2) 1 x COM (RS-232) + 2 x USB 2.0 + 1 x Power Button (TB-528C1U2P1) 2 x COM (RS-232) + 1 x Mini-PCIe slot + 1 x SIM slot (TB-528C2ME1) 2 x COM (RS-422/485, isolated) (TB-528C2I) 2 x CAN (TB-528CAN2) 1 x LAN + 2 x USB 2.0 type A (TB-528E1U2) 1 x 2W Speaker 1 x Auto Dimming *TB-528 series, speaker only be in either one			
Storage Space				
Storage	1 x M.2 B-Key slot (Support SATA3; 2242/2280, Default 2242)			
Expansion				
Onboard Expansion Bus	1 x Mini-PCIe slot (full size) 1 x M.2 E-key 1 x Nano SIM Card Holder			
Display				
	Standard	Optional High Brightness		
Display Type	12.1" TFT-LCD	12.1" TFT-LCD		
	default	optional	default	optional
Max. Resolution	800 x 600	1024 x 768	800 x 600	1024 x 768
Max. Color	16.7M	16.2M	16.7M	16.2M
Luminance (cd/m <sup>2</sup> )	450	500	1000	1000
View Angle	176(H)/176(V)	178(H)/178(V)	176(H)/176(V)	178(H)/178(V)
Contrast	1000:1	1000:1	1000:1	1000:1
Backlight Lifetime	50,000 hrs	30,000 hrs	50,000 hrs	70,000 hrs
Touch Screen				
Type	Resistive Touch (for BR Model) Projected Capacitive Touch (for BP Model)			
Interface	USB			
Light Transmission(%)	Resistive Touch: 80% / Projected Capacitive Touch: 90%			

Dimensions



Power	
Power Input	DC 9~36V
Power Consumption	TBD
Mechanical	
Construction	Aluminum Die-casting Chassis
Mounting	Panel Mount, VESA 100 x 100
Dimensions (WxHxD)	319 x 245 x 51.7 mm
IP Rating	IP66 Compliant Front Bezel
Net Weight	TBD
Environmental	
Operating Temperature	0~50°C / -20~60°C (option)
Storage Temperature	-30~70°C
Humidity	10 to 95%@ 40°C, non-condensing
Certificate	Meet CE/FCC class A
Operating System Support	
Windows 10 IoT, Windows 11	
Ordering Information	
ARCHMI-812BR	12.1" SVGA/XGA fanless HMI barebone with Intel Celeron J6412 processor, 1 x DDR4 slot, Resistive touch screen, 9~36V DC input with adapter, Aluminum chassis.
ARCHMI-812BP	12.1" SVGA/XGA fanless HMI barebone with Intel Celeron J6412 processor, 1 x DDR4 slot, Projected Capacitive touch, 9~36V DC input with adapter, Aluminum chassis.
ARCHMI-812BR(H)	12.1" High brightness SVGA/XGA fanless HMI barebone with Intel Celeron J6412 processor, 1 x DDR4 slot, Resistive touch screen, 9~36V DC input with adapter, Aluminum chassis.
ARCHMI-812BP(H)	12.1" High brightness SVGA/XGA fanless HMI barebone with Intel Celeron J6412 processor, 1 x DDR4 slot, Projected Capacitive touch, 9~36V DC input with adapter, Aluminum chassis.