



DATASOUND - LABORATORIES -

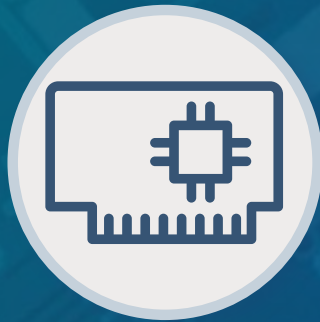
.....
EMBEDDING THE FUTURE



**Electronic
Design**



**Panel
PC / HMI**



**Single Board
Computer**



**Industrial
PC**

Why choose DSL?

- Over 25 Years Industry Experience
- 5 Years Warranty on all Products
- Evaluation Products Available
- Lifetime Technical Support

Our Services

- Electronic Design
- Production Management
- Assembly and Test
- Bespoke BIOS Creation
- Industrial Embedded PC Solutions



Call us on +44(0)1462 675530



Email us at sales@dsl-ltd.co.uk



www.dsl-ltd.co.uk

Features

- Intel Celeron J1900 Processor
- 1 x DDR3L SO-DIMM 1333MHz
- 1 x 2.5" SATA2 HDD Space
- Fanless Design
- Wide Range DC 9~36V Power Input

Specifications

System	
USB	Onboard Intel Celeron J1900 Processor
System Chipset	SoC
Memory	1 x 204-pin SO-DIMM DDR3L 1333MHz, up to 8GB

I/O Port	
USB	2 x USB 3.0 (type A) 2 x USB 2.0 (type A)
Serial/Parallel	1 x RS232/422/485, DB9 (COM1) 1 x RS232, DB9 (COM2) 1 x RS485, DB9 (COM3/4)
Audio	1 x Line out
Graph	Integrated Intel HD Graphics 688/854 MHz(J1900) 1 x VGA up to 1920 x 1200 1 x HDMI up to 1920 x 1200
LAN	2 x GbE LAN RJ-45 by intel i210AT(i211AT) controller

Storage Space	
HDD	1 x 2.5" SATA2 HDD/SSD bay 1 x mSATA

Expansion	
Expansion slot	1 x Mini PCIe slot

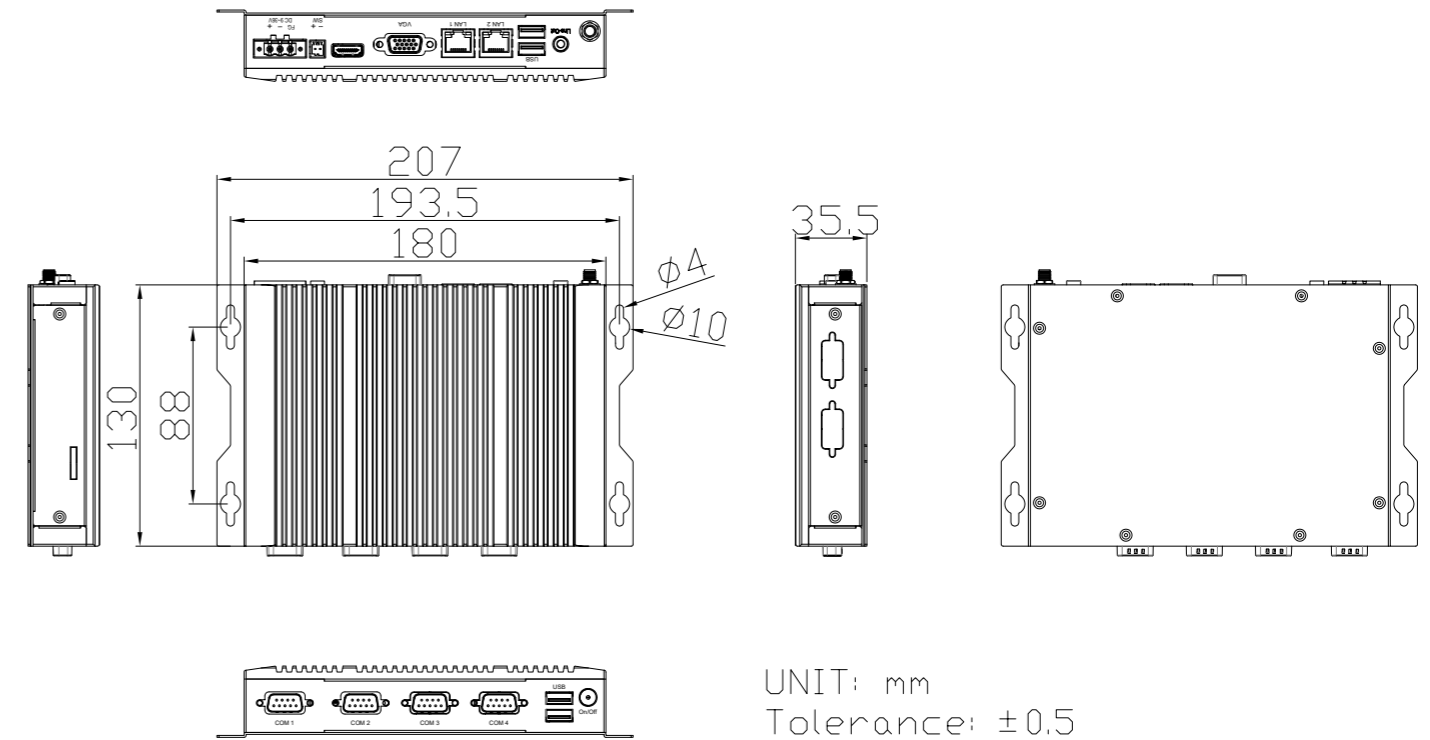
Power	
Power Input	DC 9~36V

Mechanical	
Dimensions	207 x 130 x 35.5 mm
Gross weight	1.05Kg

Environmental	
Operating Temperature	-20°C~70°C
Storage Temperature	-40°C~85°C
Storage Humidity	10 to 90%@ 40°C, non-condensing, operating
Certificate	Meet CE/FCC Class A

Operating System Support	
Windows 7 32/64bit, Windows10	

Dimensions



UNIT: mm
Tolerance: ±0.5