



DATASOUND - LABORATORIES -

.....
EMBEDDING THE FUTURE



**Electronic
Design**



**Panel
PC / HMI**



**Single Board
Computer**



**Industrial
PC**

Why choose DSL?

- Over 25 Years Industry Experience
- 5 Years Warranty on all Products
- Evaluation Products Available
- Lifetime Technical Support

Our Services

- Electronic Design
- Production Management
- Assembly and Test
- Bespoke BIOS Creation
- Industrial Embedded PC Solutions



Call us on +44(0)1462 675530



Email us at sales@dsl-ltd.co.uk



www.dsl-ltd.co.uk



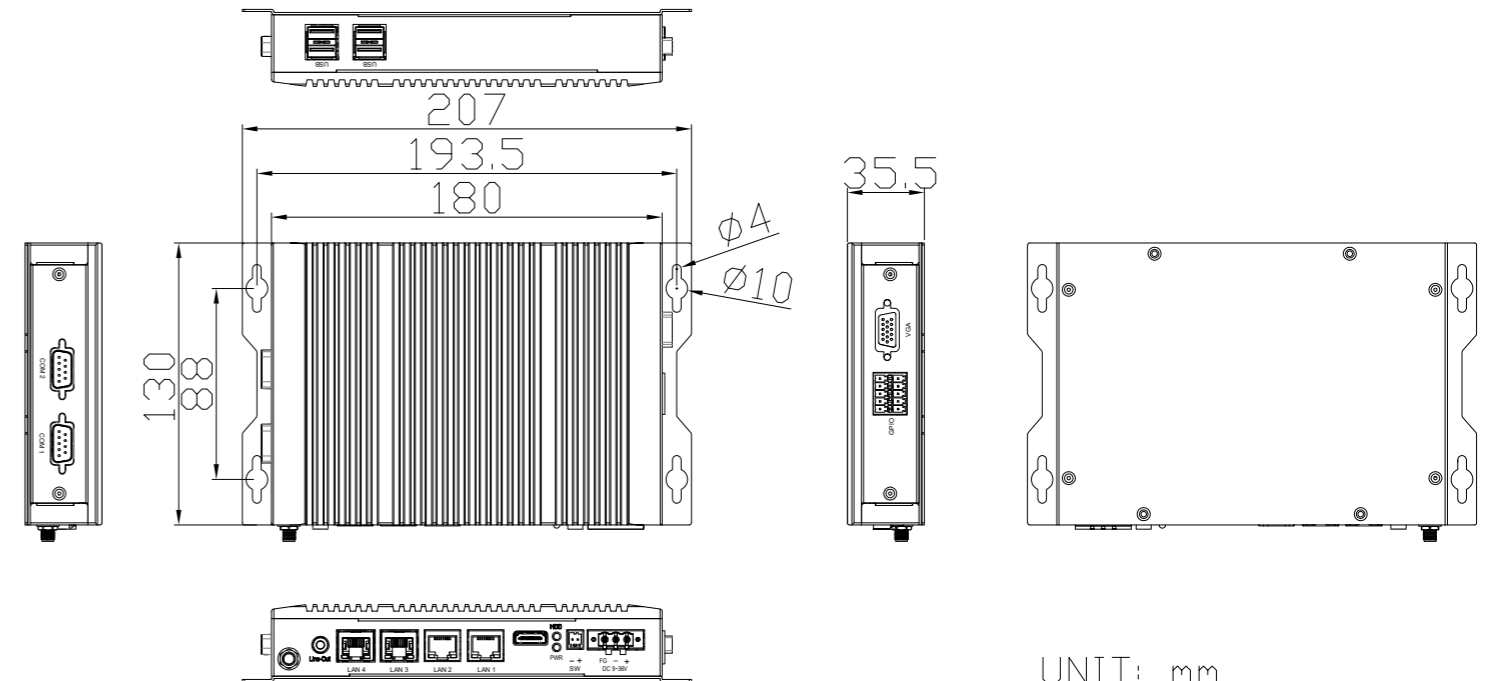
Features

- Intel Celeron J1900 Processor (2M, Cache 2.00GHz)
- 1 x SO-DIMM Socket, up to 8GB DDR3L support
- 4 x LAN, 3 x USB2.0, 1 x USB3.0, 1 x USB2.0
- 1 x mSATA for SSD storage, 1 x SATAII for HDD
- Compound Mounting Design with wall mount kit
- DC 9-36V wide voltage input
- Rugged, Fan-less, Compact Design

Specifications

System	
USB	Onboard Intel Celeron J1900 Processor (2M, Cache 2.00GHz)
System Chipset	SoC
Memory	1 x 204-pin SO-DIMM DDR3L 1333MHz, up to 8GB
External I/O	
Super I/O	Nuvoton NCT6106D
USB	1 x USB 3.0 (type A) 3 x USB 2.0 (type A) 1 x USB 2.0 (type A) (Internal)
Serial/Parallel	1 x RS232/RS422/RS485, DB9 (Default RS-232) 1 x RS232, DB9
Audio	1 x Line out
LAN	4 x GbE ports by RJ-45 with intel I210AT
Digitl I/O	1 x 8-bit GPIO (4 x DI, 4 x DO)
Display	
Controller	Integrated Intel HD Graphics 688 / 854 MHz(J1900)
HDMI	1 x HDMI
VGA	1 x VGA, DB15
Resolution	Up to 1920 x 1200 for HDMI Up to 1920 x 1200 for VGA
Storage Space	
HDD	1 x 2.5" SATA2 HDD/SSD bay 1 x mSATA
Expansion	
Expansion slot	1 x Full-size Mini PCIe onboard
Power	
Power Input	DC 9~36V
Power Connector	1 x 3-pin Power input connector 1 x 2-pin Power switch
Mechanical	
Color	Black housing, TITANIUM GRAY Heat-sink
Construction	Aluminum Alloy Heat-sink Fin Enclosure
Mounting	Compound with Wall-mount
Dimensions	207 x 130 x 35.5 mm
Net Weight	0.95 Kg

Dimensions



UNIT: mm
Tolerance: ±0.5

Environmental	
Operating Temperature	-20°C~70°C
Storage Temperature	-40°C~85°C
Storage Humidity	10 to 90% @ 40°C, non-condensing, operating
Certificate	CE/FCC Class A

Operating System Support	
Win10, Linux	