



# DATASOUND - LABORATORIES -

.....  
EMBEDDING THE FUTURE



**Electronic  
Design**



**Panel  
PC / HMI**



**Single Board  
Computer**



**Industrial  
PC**

## Why choose DSL?

- Over 25 Years Industry Experience
- 5 Years Warranty on all Products
- Evaluation Products Available
- Lifetime Technical Support

## Our Services

- Electronic Design
- Production Management
- Assembly and Test
- Bespoke BIOS Creation
- Industrial Embedded PC Solutions



Call us on +44(0)1462 675530



Email us at [sales@dsl-ltd.co.uk](mailto:sales@dsl-ltd.co.uk)



[www.dsl-ltd.co.uk](http://www.dsl-ltd.co.uk)

### Features

- 15.6" Food Industrial Panel PC
- 6th Gen. Intel Core i3/i5 Processors
- DDR4 SO-DIMM Socket
- Flat and Stainless Steel Front Panel Design
- Fanless Design
- Wide Range DC 9~36V Power Input

### Specifications

System	
CPU	Onboard 6th Gen Intel Core i3-6100U Processor(3M Cache, 2.30 GHz) / Intel Core i5-6300U Processor(3M Cache, 2.30 GHz)
System Chipset	SoC
Memory	1 x DDR4 SO-DIMM Socket

IO Port	
USB	2 x USB 3.0 type A
Serial / Parallel	1 x RS-232/422/485 DB-9, default RS-232 (COM1) 1 x RS-232 DB-9 (COM2)
LAN	2 x GbE LAN RJ-45
Audio	1 x Line Out
Power	1 x 3-pin Terminal Block Connector 1 x 2-pin Power Switch Connector

Option	
VESA Stand	4G LTE/WIFI/ BT
4 x USB 2.0 type A (TB-528U4)	4 x USB 2.0 type A + 1 x Mini-PCle + 1 x SIM slot (TB-528U4ME1)
2 x COM (RS-232) (TB-528C2)	1 x COM (RS-232) + 2 x USB 2.0 (TB-528C1U2)
1 x COM (RS-232) + 2 x USB 2.0 (TB-528C1U2)	1 x COM (RS-232) + 2 x USB 2.0 + 1 x Power Button (TB-528C1U2P1)
2 x COM (RS-232) + 1 x Mini-PCle slot + 1 x SIM slot (TB-528C2ME1)	2 x COM (RS-422/485, isolated) (TB-528C2I)
2 x CAN (TB-528CAN2)	1 x LAN + 2 x USB 2.0 type A (TB-528E1U2)
1 x LAN + 2 x USB 2.0 type A (TB-528E1U2)	1 x LAN(45W isolated PoE PD) + 2 x USB 2.0 type A (TB528E1U2UPOE)*
Backup Battery 21W/10.8V/1.95Ah(3S1P)	System is only allowed to build in either I/O board TB-528 series or backup battery

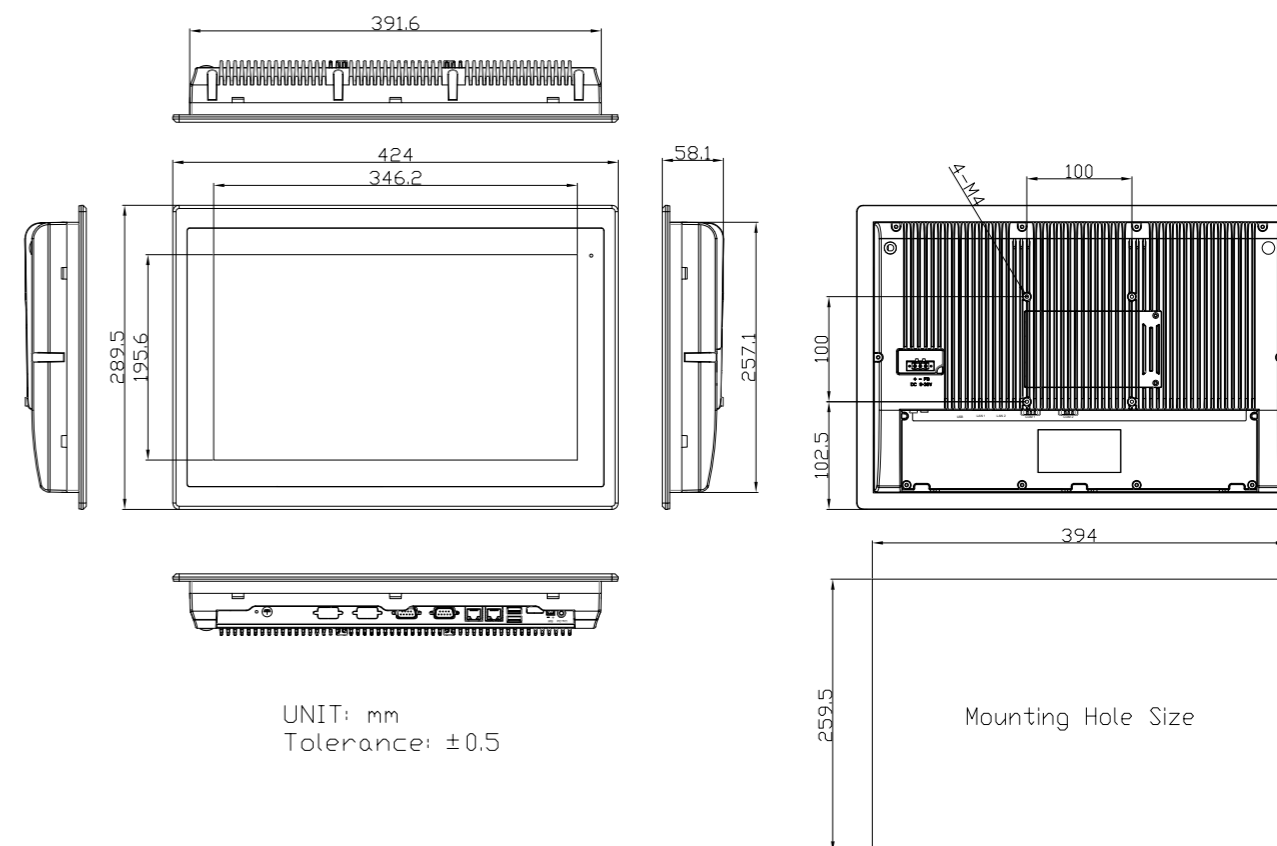
Storage Space	
HDD/SSD	1 x 2.5" SATA HDD space (Easily Accessible)

Expansion	
Expansion Slot	1 x Mini-PCle (full size)

Display	Standard		High Brightness Optional	
	15.6" TFT-LCD		15.6" TFT-LCD	
Display Type	15.6" TFT-LCD		15.6" TFT-LCD	
Max. Resolution	1366 x 768	1920 x 1080	1366 x 768	1920 x 1080
Max. Color	16.7M	16.2M	16.7M	16.2M
Luminance (cd/m <sup>2</sup> )	400	450	1000	1000
View Angle	170(H)/160(V)	170(H)/170(V)	160(H)/160(V)	170(H)/170(V)
Contrast	500:1	800:1	500:1	800:1
Backlight Lifetime	50,000 hrs	50,000 hrs	50,000 hrs	50,000 hrs

Touch Screen	
Type	Projected Capacitive Touch (for AP model) Resistive Touch (for AR model)
Interface	USB
Light Transmission(%)	Resistive Touch: 80% Projected Capacitive: 90%

### Dimensions



Power	
Power Input	DC 9~36V
Power Consumption	FABS-916AP: 52W (MAX)

Mechanical	
Construction	304 Stainless Steel Front Bezel (default) 316 Stainless Steel Front Bezel (for option) Aluminum Die-casting Back Cover
Mounting	Panel Mount, VESA Mount 100 x 100
IP Rating	IP66/IP69K Compliant Front Bezel
Dimensions	424 x 289.5 x 58.1 mm
Net Weight	5.4 kg

Environmental	
Operating Temperature	0~50°C/ -20~60°C (option)
Storage Temperature	-30~70°C
Humidity	10 to 90%@ 40°C, non-condensing
Certificate	CE/FCC Class A EN 1672-2 Compliant for P Model (optional)

Operating System Support	
Windows 10 IoT	

Ordering Information	
FABS-916AR/P (Barebone)	15.6" WXGA fanless HMI barebone with Intel 6th Corei3-6100U CPU, DDR4 SO-DIMM Socket, Resistive / Projected Capacitive touch, 9~36V DC input with adapter, Stainless front bezel and Aluminum chassis

\*PoE limitation: CPU turbo off, rear I/O no loading, 70% LED backlight, PSE cable length < 50m