



DATASOUND

- LABORATORIES -

.....

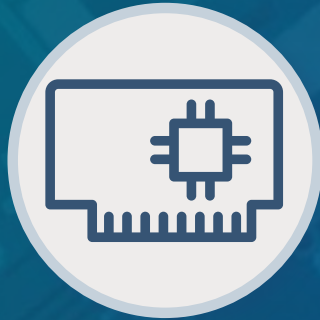
EMBEDDING THE FUTURE



**Electronic
Design**



**Panel
PC / HMI**



**Single Board
Computer**



**Industrial
PC**

Why choose DSL?

- Over 25 Years Industry Experience
- 5 Years Warranty on all Products
- Evaluation Products Available
- Lifetime Technical Support

Our Services

- Electronic Design
- Production Management
- Assembly and Test
- Bespoke BIOS Creation
- Industrial Embedded PC Solutions



Call us on +44(0)1462 675530



Email us at sales@dsl-ltd.co.uk



www.dsl-ltd.co.uk

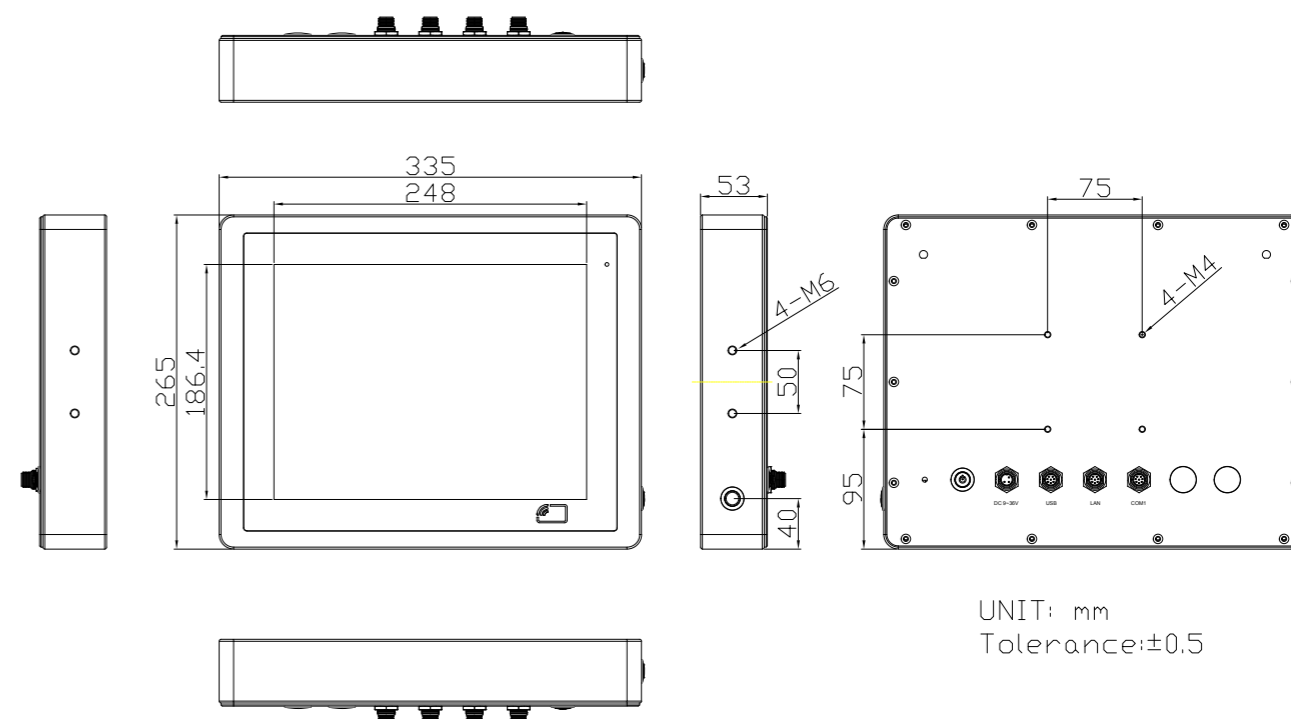
Features

- 12.1" New Generation Stainless Steel Panel PC
- Intel Celeron J6412 2.0GHz Onboard Processor
- True Flat Front Bezel Design and Grade 304 Stainless Steel Enclosure (Grade 316 for option)
- IP66/IP69K Rated with M12 Connectors
- Support Resistive Touch and Projected Capacitive Touch
- Touch on/off Button on the Side Edge for Hygienic Cleaning
- Support Ergonomic Versatile Mounting: Yoke Mounting / Space-saving VESA 75 x 75 mm Mounting

Specifications

System				
CPU	Onboard Intel Celeron J6412(2.0 GHz) Processor			
System Chipset	SoC			
Memory	1 x 260-pin SO-DIMM up to 32GB DDR4 3200MHz			
TPM	TPM 2.0			
IO Port				
USB	1 x M12 8-pin for USB 2.0 with waterproof cover and chain			
Serial / Parallel	1 x M12 8-pin COM1, RS-232/422/485, default RS-232, with waterproof cover and chain			
LAN	1 x M12 8-pin for LAN with waterproof cover and chain			
Others	1 x Touch on/off button at the side			
Power Connector	1 x M12 3-pin for DC power with waterproof cover and chain 1 x Power switch on the rear			
Option	2 x optional blank M12 connector with waterproof cover and chain for selecting two from the following options: 2 x USB 2.0 1 x USB 3.0 1 x LAN (PoE for option) 1 x COM 1 x CAN			
Storage Space				
HDD	1 x 2.5" SATA3 HDD			
M.2	1 x M.2 B-Key(SATA 3), Support 2242 at default			
Expansion				
Expansion slot	1 x Mini-PCIe slot for 4G/5G module 1 x M.2 E-Key 2230 for WiFi/BT module 1 x Nano SIM slot			
RFID module	RFID Module Design on the Front Side (for option)			
Display				
	Standard	High Brightness Optional		
Display Type	12.1" TFT-LCD		12.1" TFT-LCD	
	default	optional	default	optional
Max. Resolution	800 x 600	1024 x 768	800 x 600	1024 x 768
Max. Color	16.7M	16.2M	16.7M	16.2M
Luminance (cd/m ²)	450	500	1000	1000
View Angle	176(H)/176(V)	178(H)/178(V)	176(H)/176(V)	178(H)/178(V)
Contrast	1000:1	1000:1	1000:1	1000:1
Backlight Lifetime	50,000 hrs	30,000 hrs	50,000 hrs	70,000 hrs
Touch Screen				
Type	Resistive Touch (For BR model) Projected Capacitive Touch (For BP model)			
Interface	USB			
Light Transmission(%)	Resistive Touch : 80% / Projected Capacitive : 90%			

Dimensions



UNIT: mm
Tolerance:±0.5

Power	
Power Input	DC 9~36V
Power Consumption	VITAM-812BP : TBD
Mechanical	
Construction	304 Stainless steel chassis(default), 316 Stainless steel chassis(optional)
Mounting	VESA mount 75 x 75, Yoke mount for optional
IP Rating	Total IP66/IP69K
Dimensions	335 x 265 x 53 mm
Net Weight	TBD
Environmental	
Operating Temperature	0~50°C / -20~60°C (option)
Storage Temperature	-30~70°C
Humidity	10 to 95% @ 40°C, non-condensing
Certificate	CE/FCC Class A
Operating System Support	
Windows 10 IoT ENT LTSC	