



DATASOUND - LABORATORIES -

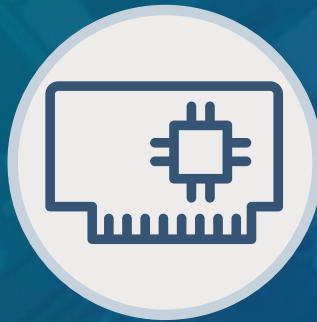
.....
EMBEDDING THE FUTURE



**Electronic
Design**



**Panel
PC / HMI**



**Single Board
Computer**



**Industrial
PC**

Why choose DSL?

- Over 25 Years Industry Experience
- 5 Years Warranty on all Products
- Evaluation Products Available
- Lifetime Technical Support

Our Services

- Electronic Design
- Production Management
- Assembly and Test
- Bespoke BIOS Creation
- Industrial Embedded PC Solutions



Call us on +44(0)1462 675530



Email us at sales@dsl-ltd.co.uk



www.dsl-ltd.co.uk

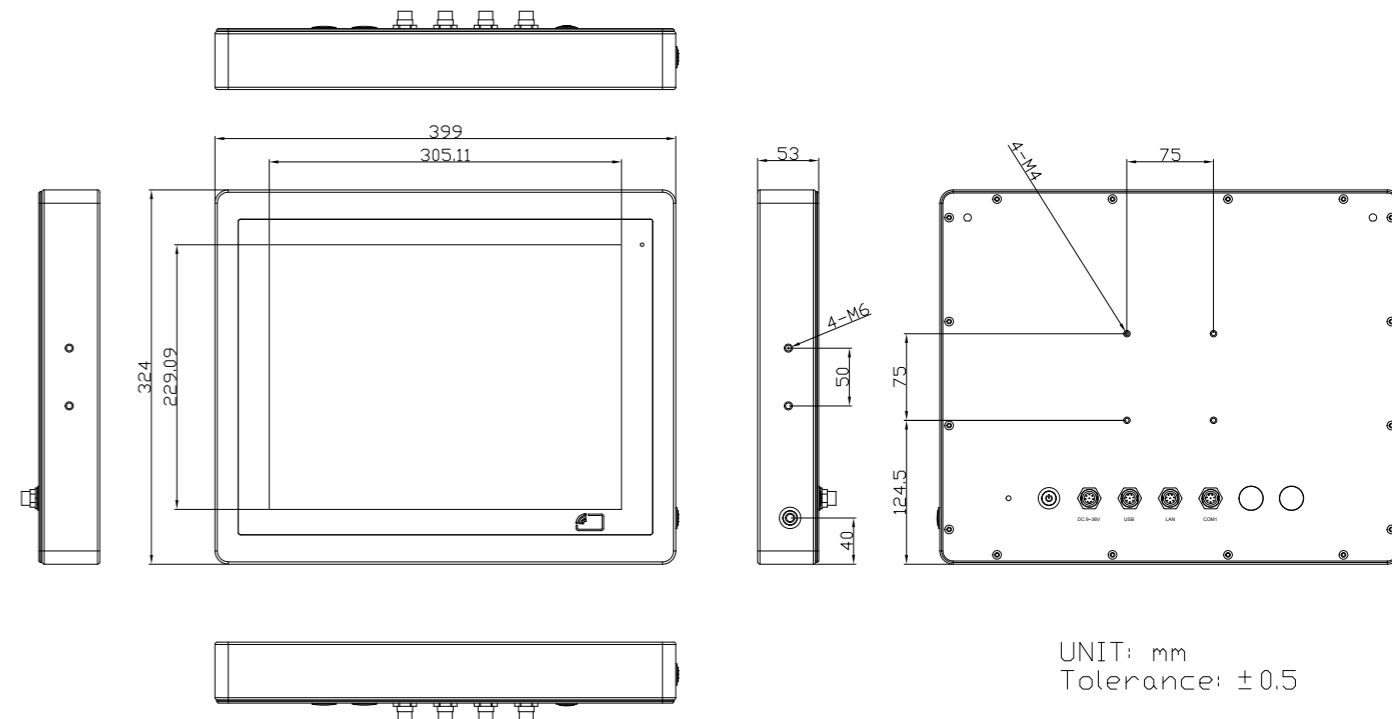
Features

- 15" New Generation Stainless Steel Panel PC
- Intel Celeron J6412(2.0 GHz) Processor
- True Flat Front Bezel Design and Grade 304 Stainless Steel Enclosure (Grade 316 for option)
- IP66/IP69K Rated with M12 Connectors
- Support Resistive Touch and Projected Capacitive Touch
- Touch on/off Button on the Side Edge for Hygienic Cleaning
- Support Ergonomic Versatile Mounting: Yoke Mounting / Space-saving VESA 75 x 75 mm Mounting

Specifications

| System | | |
|--------------------------------|--|---------------------------------|
| CPU | Onboard Intel Celeron J6412(2.0 GHz) Processor | |
| System Chipset | SoC | |
| Memory | 1 x 260-pin SO-DIMM up to 32GB DDR4 3200MHz | |
| TPM | TPM 2.0 | |
| IO Port | | |
| USB | 1 x M12 8-pin for USB 2.0 with waterproof cover and chain | |
| Serial / Parallel | 1 x M12 8-pin COM1, RS-232/422/485, default RS-232, with waterproof cover and chain | |
| LAN | 1 x M12 8-pin for LAN with waterproof cover and chain | |
| Others | 1 x Touch on/off button on the side | |
| Power Connector | 1 x M12 3-pin for DC power with waterproof cover and chain 1 x Power switch at the rear | |
| Option | 2 x optional blank M12 connector with waterproof cover and chain for selecting two from the following options: 2 x USB 2.0 1 x USB 3.0 1 x LAN (PoE for option) 1 x COM 1 x CAN | |
| Storage Space | | |
| HDD | 1 x 2.5" SATA3 HDD | |
| M.2 | 1 x M.2 B-Key(SATA 3), Support 2242 at default | |
| Expansion | | |
| Expansion slot | 1 x Mini-PCIe slot for 4G/5G module 1 x M.2 E-Key 2230 for WIFI/BT module 1 x Nano SIM slot | |
| RFID module | RFID Module Design on the Front Side (for option) | |
| Display | | |
| | Standard | High Brightness Optional |
| Display Type | 15" TFT-LCD | 15" TFT-LCD |
| Max. Resolution | 1024 x 768 | 1024 x 768 |
| Max. Color | 16.2M | 16.7M |
| Luminance (cd/m ²) | 300 | 1000 |
| View Angle | 176(H)/176(V) | 176(H)/176(V) |
| Contrast | 2000:1 | 3000:1 |
| Backlight Lifetime | 70,000 hrs | 70,000 hrs |
| Touch Screen | | |
| Type | Resistive Touch (For BR model) Projected Capacitive Touch (For BP model) | |
| Interface | USB | |
| Light Transmission(%) | Resistive Touch : 80% Projected Capacitive : 90% | |

Dimensions



UNIT: mm
Tolerance: ±0.5

| Power | |
|--------------------------|---|
| Power Input | DC 9~36V |
| Power Consumption | VITAM-815BP : TBD |
| Mechanical | |
| Construction | 304 Stainless steel chassis(default), 316 Stainless steel chassis(optional) |
| Mounting | VESA mount 75 x 75, Yoke mount for optional |
| IP Rating | Total IP66/IP69K |
| Dimensions | 399 x 324 x 53 mm |
| Net Weight | TBD |
| Environmental | |
| Operating Temperature | 0~50°C / -20~60°C (option) |
| Storage Temperature | -30~70°C |
| Humidity | 10 to 95% @ 40°C, non-condensing |
| Certificate | CE/FCC Class A |
| Operating System Support | |
| Windows 10 IoT ENT LTSB | |