



# DATA SOUND

## - LABORATORIES -

.....

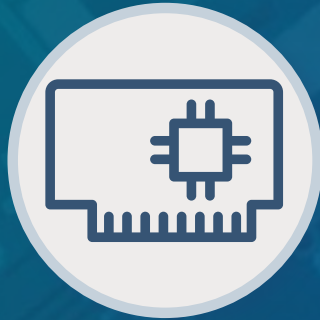
EMBEDDING THE FUTURE



**Electronic  
Design**



**Panel  
PC / HMI**



**Single Board  
Computer**



**Industrial  
PC**

### Why choose DSL?

- Over 25 Years Industry Experience
- 5 Years Warranty on all Products
- Evaluation Products Available
- Lifetime Technical Support

### Our Services

- Electronic Design
- Production Management
- Assembly and Test
- Bespoke BIOS Creation
- Industrial Embedded PC Solutions



Call us on +44(0)1462 675530



Email us at [sales@dsl-ltd.co.uk](mailto:sales@dsl-ltd.co.uk)



[www.dsl-ltd.co.uk](http://www.dsl-ltd.co.uk)

## Features

- 23.8" New Generation Stainless Steel Panel PC
- Intel Celeron J6412 2.0GHz Onboard Processor
- True Flat Front Bezel Design and Grade 304 Stainless Steel Enclosure (Grade 316 for option)
- IP66/IP69K Rated with M12 Connectors
- Support Resistive Touch and Projected Capacitive Touch
- Touch on/off Button on the Side Edge for Hygienic Cleaning
- Support Ergonomic Versatile Mounting: Yoke Mounting / Space-saving VESA 100 x 100 mm Mounting

## Specifications

System	
CPU	Onboard Intel Celeron J6412(2.0 GHz) Processor
System Chipset	SoC
Memory	1 x 260-pin SO-DIMM up to 32GB DDR4 3200MHz
TPM	TPM 2.0

IO Port	
USB	1 x M12 8-pin for USB 2.0 with waterproof cover and chain
Serial / Parallel	1 x M12 8-pin COM1, RS-232/422/485, default RS-232, with waterproof cover and chain
LAN	1 x M12 8-pin for LAN with waterproof cover and chain
Others	1 x Touch on/off button at the side
Power Connector	1 x M12 3-pin for DC power with waterproof cover and chain 1 x Power switch on the rear
Option	2 x optional blank M12 connector with waterproof cover and chain for selecting two from the following options: 2 x USB 2.0 1 x USB 3.0 1 x LAN (PoE for option) 1 x COM 1 x CAN

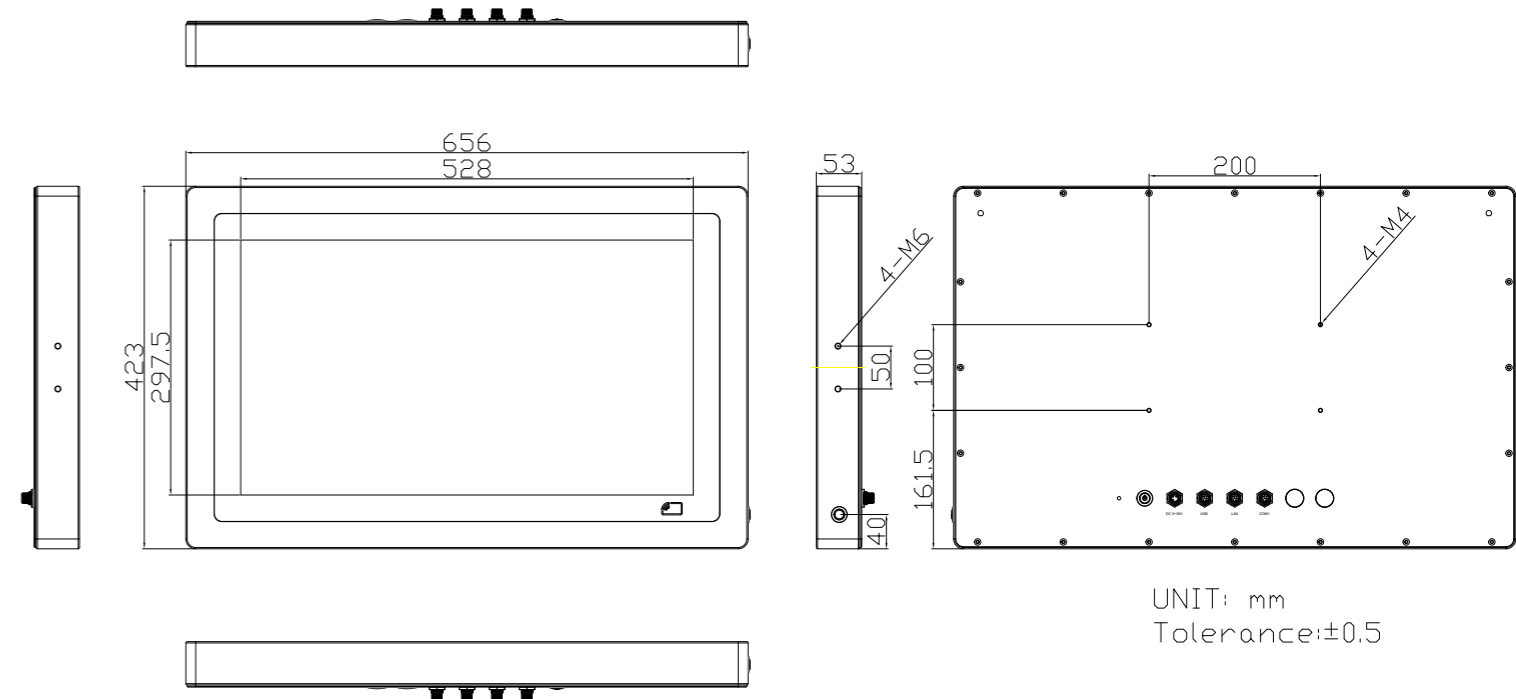
Storage Space	
HDD	1 x 2.5" SATA3 HDD
M.2	1 x M.2 B-Key(SATA 3), Support 2242 at default

Expansion	
Expansion slot	1 x Mini-PCIe slot for 4G/5G module 1 x M.2 E-Key 2230 for WiFi/BT module 1 x Nano SIM slot
RFID module	RFID Module Design on the Front Side (for option)

Display	Standard	High Brightness Optional
Display Type	23.8" TFT-LCD	23.8" TFT-LCD
Max. Resolution	1920 x 1080	1920 x 1080
Max. Color	16.7M	16.7M
Luminance (cd/m <sup>2</sup> )	250	1000
View Angle	178(H)/178(V)	178(H)/178(V)
Contrast	3000:1	5000:1
Backlight Lifetime	30,000 hrs	50,000 hrs

Touch Screen	
Type	Projected Capacitive Touch
Interface	USB
Light Transmission(%)	Projected Capacitive : 90%

## Dimensions



UNIT: mm  
Tolerance:±0.5

Power	
Power Input	DC 9~36V
Power Consumption	ViTAM-824BP : TBD

Mechanical	
Construction	304 Stainless steel chassis(default), 316 Stainless steel chassis(optional)
Mounting	VESA mount 200 x 100, Yoke mount for optional
IP Rating	Total IP66/IP69K
Dimensions	656 x 423 x 53 mm
Net Weight	12.5 kg

Environmental	
Operating Temperature	0~50°C
Storage Temperature	-30~70°C
Humidity	10 to 95% @ 40°C, non-condensing
Certificate	CE/FCC Class A

Operating System Support	
Windows 10 IoT ENT LTSC	