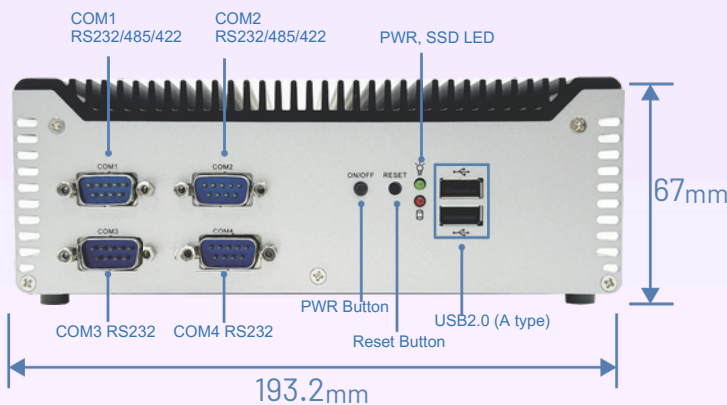




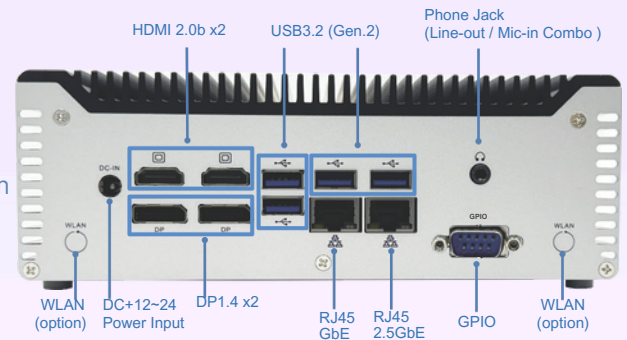
EBOX-TGL Series Fanless Box PC

This fanless embedded computer is powered by an Intel® Tiger Lake i5-1135G7 Processor with a clock speed of 2.40GHz, support for up to 64GB of DDR4 3200MHz memory through dual-channel SO-DIMM slots, features two HDMI 2.0 ports and two DP 1.4 ports, supporting up to four 4K HDR displays or a single 8K SDR display. The system is equipped with dual Ethernet ports, providing the flexibility to connect a wide range of peripherals, operates with a temperature range of -20°C to +60°C, DC jack power input range of +12V to +24V providing stable and reliable power in various operational settings.

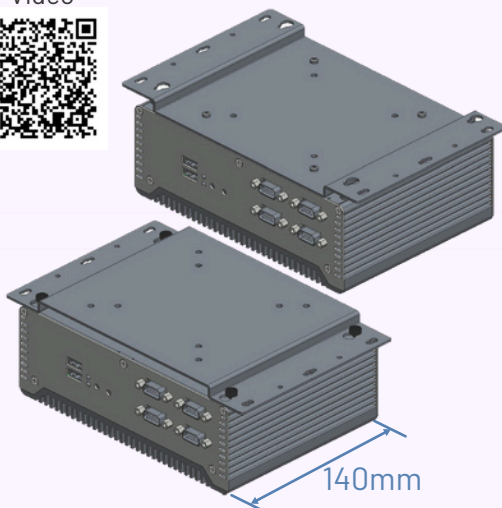
Front I/O



Rear I/O



Video



▲ Wall-mount and VESA-mount supported

Features

- ▶ Intel® Tiger Lake i5-1135G7 Processor
- ▶ DDR4 3200MHz Dual Channel SO-DIMM x2, memory up to 64GB
- ▶ 2*HDMI 2.0b (Max Resolution: 4096x2160@60Hz)
- ▶ 2*DP 1.4 (Max Resolution: 4096x2304@60Hz)
- ▶ Support Four Displays (4K HDR Displays or One 8K SDR Displays (DP)
- ▶ M.2 M-key x1 (2242/2280), PCIe Gen.4 x4 interface support NVMe SSD
- ▶ M.2 E-key x1 (2230), USB2.0/PCIe x1 interface (CNVi supported)
- ▶ WLAN/BT
- ▶ COM1/COM2 RS232/485/422
- ▶ COM3/COM4 RS232
- ▶ DC Jack power input +12V~24V power adapter

EBOX-TGL Series specifications

Processor	Intel® Tiger Lake i5-1135G7 Processor (Quad core 2.4GHz)
System RAM	DDR4 3200MHz Dual Channel SO-DIMM x2, memory up to 64GB
BIOS	AMI BIOS
Storage	M.2 M-key x1(2242/2280), PCIe Gen.4 x4 interface support NVMe SSD
Expansion	M.2 E-key x1(2230), USB2.0/PCIe x1 interface (CNVi supported) WLAN/B T
Display	Intel® HD Graphics, shared memory 2*HDMI 2.0b (Max Resolution: 4096x2160@60Hz) 2*DP 1.4 (Max Resolution: 4096x2304@60Hz) Support Four Displays (4K HDR Displays or One 8K SDR Displays (DP))
Ethernet	Intel® i219-LM 1.0GbE x1 Intel® i225-V 2.5GbE x1
Audio	HD Audio Realtek ALC888S-VD2 Power button x1/Reset button x1
Front I/O	Power LED x1/ SSD LED x1 USB 2.0 x2 COM x4 (RS232/485/422 x2, RS232 x2) USB 3.2 (Gen2) x4/ RJ45 x2
Rear I/O	HDMI x2/ DP x2 Mic-in & Line -out Combo x1 GPIO x1 Windows 10, Windows 11 (64-bit), Linux

OS support

Mechanical & Environment

Power Requirement	DC +12~24V Power adapter only (2.5ø)
Power adapter	+12V7.5A (90W)
Operating Temperature	-20~+60°C
Storage Temperature	-30~+70°C
Net Weight	2.2 kgs
Dimensions (W x D x H)	193.2 x 140 x 67mm
Certificates	CE, UKCA, FCC, VCCI

Order information

EBOX-TGL-35G7	Intel Tiger Lake i5-1135G7 Embedded computer
POWER-90W-TGL	AC-DC power adapter DC12V@7.5A (AC 100~240V Input)
POWERCABLE (G)(A)(EN)(AU)	Power cord US/EU/UK/AU&NZ types
CASE-35-VESA	VESA Rack (Optional)